



ASAHI AV

ASAHI YUKIZAI CORPORATION

General Catalog (Valves)

SWING CHECK VALVE

- PREVENTS FLUID BACKFLOW AND PROTECTS PUMP FACILITIES
- ARM-TYPE CHECK VALVE PREVENTS FLUID RESISTANCE INCREASE.
- ALL-PLASTIC MATERIAL PROVIDES HIGH RESISTANCE TO CORROSIVE FLUID INCLUDING ACID AND ALKALI.
- INTERNAL MAINTENANCE ONLY REQUIRES REMOVAL OF BONNET.

BASIC SPECIFICATIONS

VALVE TYPE — SWING CHECK VALVE

SIZE — 15 mm—200 mm (1/2 inch—8 inch)

BODY MATERIAL — HI-PVC PP PVDF

SEAL MATERIAL / SEAT — EPDM FKM PTFE

Viflon®F FKM-F Viflon®C FKM-C

CONNECTION / FLANGED — JIS5K, JIS10K, DIN, ANSI

HIGH PURITY SERIES — LUBRICANT FREE

	FLUID TEMPERATURE	MAXIMUM WORKING PRESSURE (NORMAL TEMPERATURE) MPa(kgf/cm ²)		
		15mm—80mm	100mm—150mm	200mm
HI-PVC	0°C ~ 50°C	1.0 {10.2}	0.7 {7.1}	0.5 {5.1}
PP	-20°C ~ 80°C	1.0 {10.2}	0.7 {7.1}	0.5 {5.1}
PVDF	-20°C ~ 100°C	1.0 {10.2}	0.7 {7.1}	0.5 {5.1}

NOTE The maximum working pressure is the value including the water hammer pressure. Be careful that the maximum working pressure is not exceeded during use.
* Concerning the allowable pressure for each temperature and material, see the technical documents at the end of this catalog.

MANUAL



NOTES FOR PIPING

- They can be used for both horizontal and vertical pipes, but make sure during installation that the arrow direction of the valve body is aligned with the flow direction of the fluid.

NOTES FOR USE

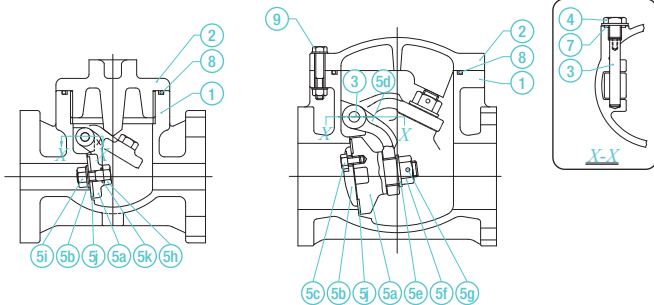
- If foreign matter such as dust is mixed in the fluid, the valve may not function properly.
- The plug (P/N ④) is not a drain plug for water removal. Do not remove the plug to discharge water since the valve may become unable to work properly.

PARTS LIST MANUAL

HI-PVC, PVDF

15 mm, 20 mm

25 mm — 200 mm



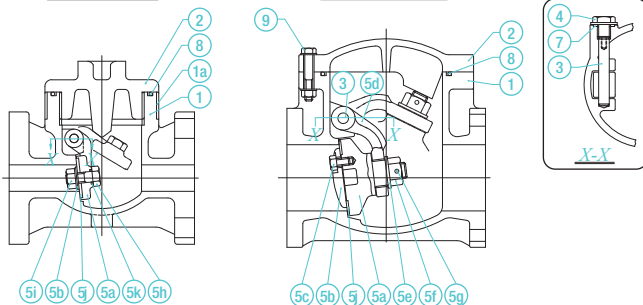
PART NO. / NAME	QTY	MATERIAL	PART NO. / NAME	QTY	MATERIAL
① BODY	1	HI-PVC, PVDF	⑤f NUT (A) ⁽⁴⁾	1	HI-PVC, PVDF
② BONNET	1	HI-PVC, PVDF	⑤g PIN ⁽³⁾	1	HI-PVC, PVDF
③ SHAFT	1	HI-PVC, PVDF	⑤h BOLT (B) ⁽¹⁾	1	HI-PVC, PVDF
④ PLUG	1	HI-PVC, PVDF	⑤i NUT (B) ⁽¹⁾	1	HI-PVC, PVDF
⑤a DISC	1	HI-PVC, PVDF	⑤j SEAT	1	GASKET SEAT — O-RING (B) O-RING (A)
⑤b SEAT HOLDER	1	HI-PVC, PVDF	⑤k O-RING (A) ⁽¹⁾	1	EPDM — EPDM FKM — FKM PTFE — PFA ⁽²⁾
⑤c BOLT (A) ⁽⁴⁾	—	HI-PVC, PVDF	⑦ GASKET (B)	1	
⑤d ARM ⁽⁴⁾	1	HI-PVC, PVDF	⑧ O-RING (B)	1	
⑤e WASHER ⁽⁴⁾	1	HI-PVC, PVDF	⑨ BOLT/NUT ⁽⁴⁾	—	SUS304

NOTES (1) Used for 15 mm and 20 mm. (2) FKM + PFA coating.
(3) Used for the material of PVDF and sizes of 65 to 200 mm.
(4) Used for 25 to 200 mm.

PP

15 mm, 20 mm

25 mm — 200 mm



PART NO. / NAME	QTY	MATERIAL	PART NO. / NAME	QTY	MATERIAL
① BODY	1	PP	⑤g PIN ⁽²⁾	1	PVDF
② BONNET	1	PP	⑤h BOLT (B) ⁽¹⁾	1	PP
③ SHAFT	1	PP	⑤i NUT (B) ⁽¹⁾	1	PP
④ PLUG	1	PP	⑤j SEAT	1	GASKET SEAT — O-RING (B) O-RING (A)
⑤a DISC	1	PVDF	⑤k O-RING (A) ⁽¹⁾	1	EPDM — EPDM FKM — FKM
⑤b SEAT HOLDER	1	PP	⑦ GASKET (B)	1	
⑤c BOLT (A) ⁽³⁾	—	PP	⑧ O-RING (B)	1	
⑤d ARM ⁽³⁾	1	PP	⑨ BOLT/NUT ⁽³⁾	—	SUS304
⑤e WASHER ⁽³⁾	1	PP	①a BODY RING ⁽¹⁾	1	SUS304
⑤f NUT (A) ⁽³⁾	1	PVDF			

NOTES (1) Used for 15 mm and 20 mm. (2) Used for 65 to 200 mm.
(3) Used for 25 to 200 mm.

PRODUCT MODEL CODE LIST

MANUAL

ACTUATION	TYPE	BONNET SEAL	BODY MATERIAL	SEAL MATERIAL	CONNECTION	STANDARD	SIZE	HIGH PURITY SERIES
V	SC	OR*	*	*	F	*	***	1
⋮	⋮	⋮	⋮	⋮	⋮	⋮	⋮	⋮
V MANUAL VALVE	SC SWING	OR O-RING	I HI-PVC P PP F PVDF	E EPDM V FKM P PTFE/PFA 3 PTFE/Viflon®-F 4 PTFE/Viflon®-C	F FLANGED	1 JIS10K 5 JIS5K D DIN A ANSI	015 15mm 200 200mm	1 LUBRICANT FREE

* When the seal material is EPDM or FKM, the material of O-ring is the same as that of the seal.
When the seal material is PTFE, the material of O-ring is PFA coating or Viflon®.

NOTES • 15 mm type is processed from 20 mm. 32 mm type is processed from 40 mm.

• Contact us regarding the combination of body material PP and seal material PTFE/PFA.

MANUAL

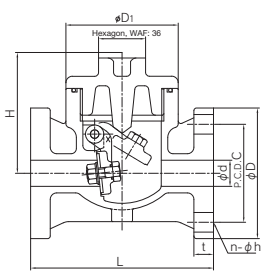
SWING CHECK VALVE

TYPE—VSCOR

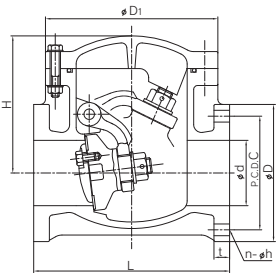
CONNECTION / FLANGED—JIS, DIN, ANSI

HI-PVC, PVDF

15 mm, 20 mm

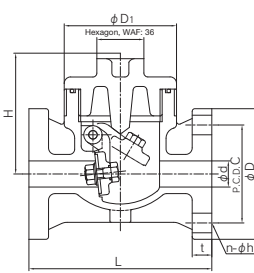


25 mm – 200 mm

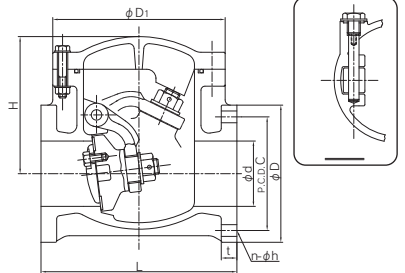


PP

15 mm, 20 mm



25 mm – 200 mm



■ JIS, DIN (Unit: mm)

mm	d	D1	H	L	t			JIS5K				JIS10K				DIN PN10			
					HI-PVC	PVDF	PP	D	C	n	h	D	C	n	h	D	C	n	h
15	20	86	87	140	15	15	15	80	60	4	12	95	70	4	15	95	65	4	14
20	20	86	87	140	15	15	15	85	65	4	12	100	75	4	15	105	75	4	14
25	25	130	117	160	16	16	16	95	75	4	12	125	90	4	19	115	85	4	14
32	40	145	135	180	18	18	17	-	-	-	-	135	100	4	19	140	100	4	18
40	40	145	135	180	18	18	17	120	95	4	15	140	105	4	19	150	110	4	18
50	50	180	161	200	20	20	20	130	105	4	15	155	120	4	19	165	125	4	18
65	65	200	165	240	22	23	22	155	130	4	15	175	140	4	19	185	145	4	18
80	80	205	168	260	22	23	22	180	145	4	19	185	150	8	19	200	160	8	18
100	100	265	210	300	24	26	24	200	165	8	19	210	175	8	19	220	180	8	18
125	125	330	245	350	24	26	25	235	200	8	19	250	210	8	23	250	210	8	18
150	150	370	280	400	25	27	26	265	230	8	19	280	240	8	23	285	240	8	22
200	200	425	333	500	30	33	31	320	280	8	23	330	290	12	23	340	295	8	22

■ ANSI (Unit: inch)

inch	mm	d	D1	H	L	t			ANSI Class150			
						HI-PVC	PVDF	PP	D	C	n	h
1/2	15	0.79	3.39	3.43	5.51	0.59	0.59	0.59	3.50	2.38	4	0.62
3/4	20	0.79	3.39	3.43	5.51	0.59	0.59	0.59	3.88	2.75	4	0.62
1	25	0.98	5.12	4.61	6.30	0.63	0.63	0.63	4.25	3.12	4	0.62
1 1/4	32	-	-	-	-	-	-	-	-	-	-	-
1 1/2	40	1.57	5.71	5.31	7.09	0.71	0.71	0.67	5.00	3.88	4	0.62
2	50	1.97	7.09	6.34	7.87	0.79	0.79	0.79	6.00	4.75	4	0.75
2 1/2	65	2.56	7.87	6.50	9.45	0.87	0.91	0.87	7.00	5.50	4	0.75
3	80	3.15	8.07	6.61	10.24	0.87	0.91	0.87	7.50	6.00	4	0.75
4	100	3.94	10.43	8.27	11.81	0.94	1.02	0.94	9.00	7.50	8	0.75
5	125	4.92	12.99	9.65	13.78	0.94	1.02	0.98	10.00	8.50	8	0.88
6	150	5.91	14.57	11.02	15.75	0.98	1.06	1.02	11.00	9.50	8	0.88
8	200	7.87	16.73	13.11	19.69	1.18	1.30	1.22	13.50	11.75	8	0.88