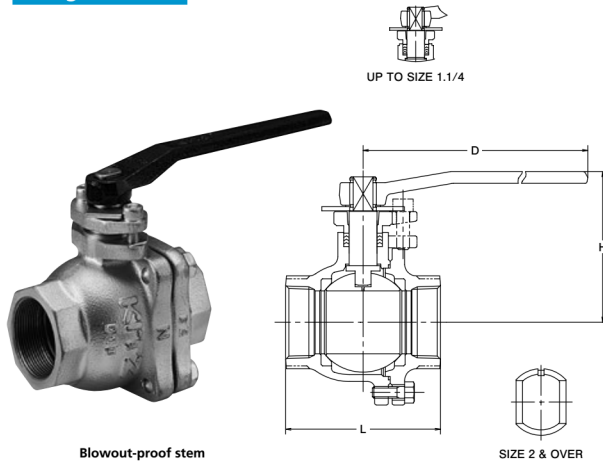


10K

IRON THREADED BALL VALVE (Full Bore)

Fig. 10FCT



Materials

| Parts | Material | JIS Spec. |
|---------------|-----------------|------------------------------|
| Body | Cast Iron | FC200 |
| Body cap | Cast Iron | FC200 |
| Stem | Stainless Steel | SUS403 |
| Ball | Stainless Steel | SCS13A or SUS304 or SUS304TP |
| Grand packing | | PTFE |
| Gasket | | PTFE |
| Ball seat | | PTFE |
| Cap bolt | | Carbon Steel |
| Handle | Ductile Iron | FCD400 |

Design Specifications

| Items | |
|--|---------------|
| Shell wall thickness and general valve design | KITZ Standard |
| Face-to-face dimensions, end-to-end dimensions | KITZ Standard |
| Threaded ends | JIS B0203 |

For Pressure-Temperature Ratings, refer to individual catalog(No.E-201).

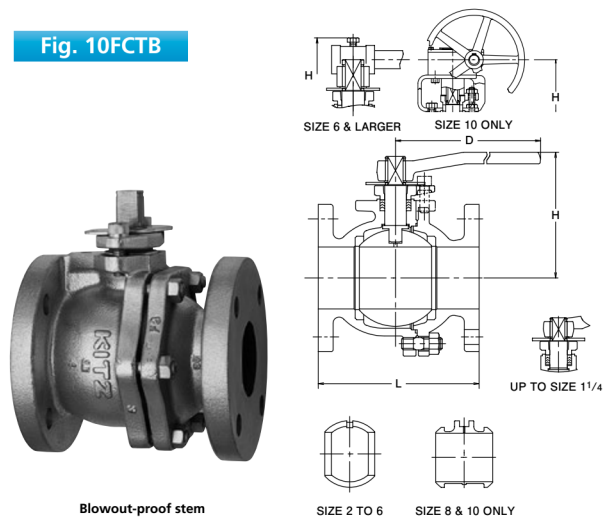
Dimensions

| Valve Size | B | 3/8 | 1/2 | 3/4 | 1 | 1 1/4 | 1 1/2 | 2 | 2 1/2 | 3 | mm |
|----------------|---|-----|-----|-----|-----|-------|-------|-----|-------|-----|----|
| L Face-to-face | A | 10 | 15 | 20 | 25 | 32 | 40 | 50 | 65 | 80 | |
| H Height | | 72 | 80 | 85 | 95 | 120 | 120 | 140 | 160 | 182 | |
| D Handle | | 71 | 102 | 105 | 125 | 130 | 115 | 120 | 155 | 165 | |
| | | 130 | 130 | 130 | 160 | 160 | 230 | 230 | 400 | 400 | |

10K

IRON BALL VALVE (Full Bore)

Fig. 10FCTB



Materials

| Parts | Material | JIS Spec. |
|---------------|-----------------|------------------------------|
| Body | Cast Iron | FC200 |
| Body cap | Cast Iron | FC200 |
| Stem | Stainless Steel | SUS403 |
| Ball | Stainless Steel | SCS13A or SUS304 or SUS304TP |
| Grand packing | | PTFE |
| Gasket | | PTFE |
| Ball seat | | PTFE |
| Cap bolt | | Carbon Steel |
| Handle | Ductile Iron | FCD400 |

Design Specifications

| Items | |
|--|---------------|
| Shell wall thickness and general valve design | KITZ Standard |
| Face-to-face dimensions, end-to-end dimensions | KITZ Standard |
| End flange dimensions, gasket contact facing | JIS B2239 10K |

For Pressure-Temperature Ratings, refer to individual catalog(No.E-201).

Dimensions

| Valve Size | B | 1/2 | 3/4 | 1 | 1 1/4 | 1 1/2 | 2 | 2 1/2 | 3 | 4 | 5 | 6 | 8 | 10 | mm |
|----------------|---|-----|-----|-----|-------|-------|-----|-------|-----|-----|-----|------|------|------|----|
| L Face-to-face | A | 15 | 20 | 25 | 32 | 40 | 50 | 65 | 80 | 100 | 125 | 150 | 200 | 250* | |
| H Height | | 110 | 120 | 130 | 140 | 165 | 180 | 190 | 200 | 230 | 300 | 340 | 450 | 533 | |
| D Handle | | 102 | 105 | 124 | 128 | 114 | 121 | 154 | 163 | 199 | 219 | 292 | 352 | 477 | |
| | | 130 | 130 | 160 | 160 | 230 | 230 | 400 | 400 | 460 | 460 | 1000 | 1500 | - | |

*Note: Gear Operated. Contact KITZ or KITZ distributors for details.