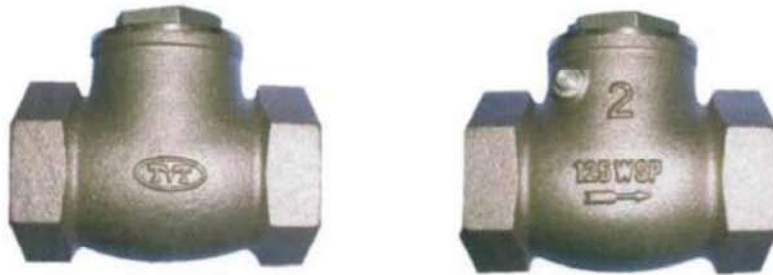
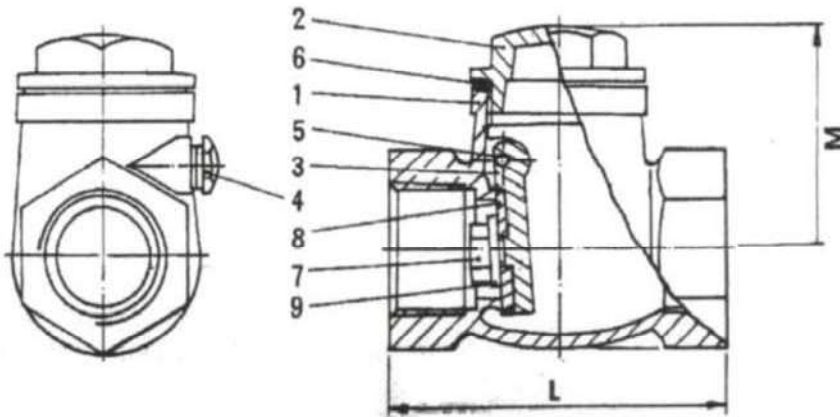


T. Y. T. 牌 重 型 銅 橫 閥
 T. Y. T. Brand Brass Swing Check Valves



Model No. : TYT-306
 Size : 1/2"(15mm), 3/4 (20mm), 1"(25mm), 1.1/4"(32mm),
 1.1/2"(40mm), 2"(50mm), 2.1/2"(65mm), 3"(80mm) & 4"(100mm).
 Method of Tests: BS5154: 1974

已獲香港水務監督處，批准符合裝配
 Acceptance Reference NO. C20160248



No.	Part	Material
1	Body	Cast Brass
2	Cover	Cast Brass
3	Disc	Cast Brass
4	Screw	Brass Rod
5	Pin	Brass Rod
6	Washer	Fiber
7	Nut	Brass Rod
8	Packing	Nbr
9	Nut Washer	(1.1/4" - 4") Brass Rod

Chemical Composition:

Components	Designation to BS1400: 1985;
Body, bonnet	DCB3
Disc	DCB3

Size	1/2"	3/4"	1"	1.1/4"	1.1/2"	2"	2 1/2"	3"	4"
L	52	60	68	78	91	106	130	141	167
H	37	44	48	53	61	64	76	85	118
Pcs/Ctn	160	120	80	45	40	24	18	12	6