

TS

Model: 507 | Pressure Reducing Valve

Features:

●	Threaded	BS21
●	Maximum Pressure Upstream	10bar - 16bar
●	Down Stream Pressure Setting Range	1bar - 6bar
●	Maximum Temperature (Water)	80°C
●	Preset Pressure	3bar
●	Media	Water
●	Pressure Gauge Available Showing Outlet Pressure	

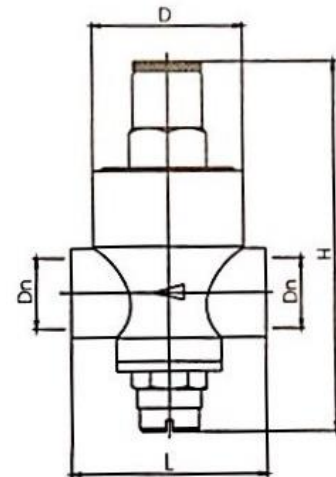


Parts & Materials:

Body	Brass to BS EN 12164:1998 CW617N (CZ122)
Washer	NBR Rubber
Stainless Steel Seat	Stainless Steel 304 to BS EN 10088-1.4301
Spring	Carbon Steel C72

Dimensions:

Size (In)	L	D	H
1/2" (15mm)	60mm	46mm	110mm
3/4" (20mm)	60	46	110
1" (25mm)	86	60	147



Every effort has been made to ensure that the information contained in this publication is accurate at the time of publishing. Hoi Luen Hardware Co. Ltd assumes no responsibility or liability for typographical errors or omissions or for any misinterpretation of the information within the publication and reserves the right to change without notice.



海聯五金有限公司
Hoi Luen Hardware Co., Ltd

E: Sales@hoiluenhardware.com

Tel: (+852) 23887282
W: www.hoiluenhardware.com