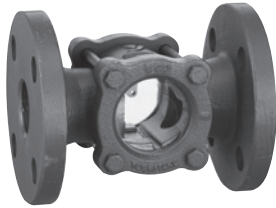


# SL-1S, SL-1F

- Plain
- Flap
- Ball
- Spinner
- Stainless
- Mica plate
- Protective wire mesh
- With protective cover



SL-1S



SL-1F

**■Features**

1. Mixed state or color of two component fluid can be checked.
2. Intermittent fluid flow can be checked.
3. Can be connected to horizontal/vertical piping.
4. Mica plate is used for this type of sight glass for steam condensate.

**■Specifications**

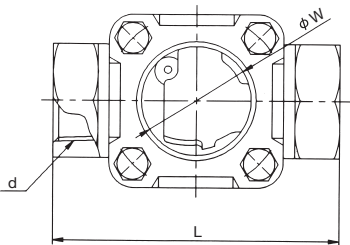
Model	SL-1S	SL-1F
Application	Cold and hot water, Oil, Other non-dangerous fluids	
Maximum working pressure	1.0 MPa	
Max. temperature	150°C	
Max. thermal shock	100°C	
Material	Body	Ductile cast iron
	Glass	Hardened glass
Connection	JIS Rc screwed	JIS 10K FF flanged

- Available with mica plate for steam condensate (SLM-1S-1F). However, maximum allowable working pressure is 0.6 MPa.
- Glass part is consumable supply.

**■Dimensions (mm) and Weights (kg)**

· SL-1S

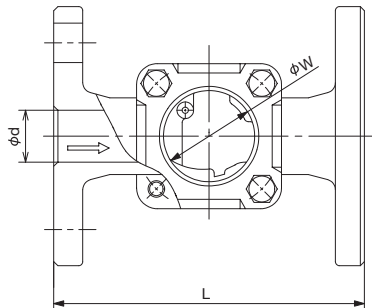
Nominal size	d	L	W	Weight
15A	Rc 1/2	80	35	0.7
20A	Rc 3/4	90	35	0.8
25A	Rc 1	115	44	1.4
32A	Rc 1-1/4	127	57	2.1
40A	Rc 1-1/2	140	57	2.7
50A	Rc 2	162	73	5.2



SL-1S

· SL-1F

Nominal size	d	L	W	Weight
15A	15	130	35	2.2
20A	20	130	35	2.6
25A	25	150	44	4.1
32A	32	160	57	5.7
40A	40	170	57	6.0
50A	50	200	73	9.3



SL-1F