

Y-STRAINER

PN16 Cast Bronze / Threaded Ends

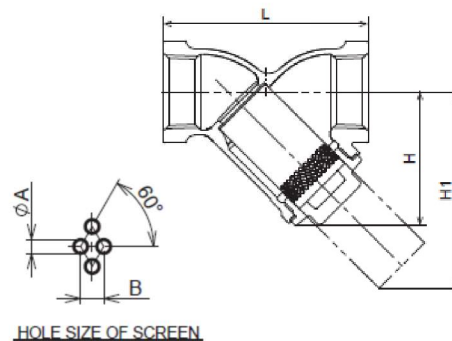
Fig. No.	Y(BS)
Max. Service Pressure	PN16
Service Temperature	-10°C - 120°C
Working Medium	Water (*Non-shock)
Standard	End to End: KITZ Standard End Connection: BS21 (JIS B0203) Wall thickness: KITZ Standard



*Taper pipe threads for connection shall refer to JIS B0203 standards.

Dimensions

mm	SIZE		L	H	H1	A	B
	inch						
15	1/2		65	42	56	1.0	1.5
20	3/4		80	52	72	1.0	1.5
25	1		92	60	89	1.0	1.5
32	1 1/4		110	72	107	1.0	1.5
40	1 1/2		122	81	121	1.0	1.5
50	2		150	101	147	1.0	1.5



Materials

Name of Parts	Specifications
BODY	CAST BRONZE - CC491K
BONNET	BRASS - CW617N
SCREEN	STAINLESS STEEL - 304
BODY MARK	(Size) PN16 → KITZ V (Production Code)

* Complied to BS EN 12266-1 : 2012 / BS EN 1982 : 2008 / BS EN 12164 : 2016 / BS EN 10088-1 : 2014

Origin : Thailand

Production address : KITZ (Thailand) Ltd.

426 Moo17, Bangplee Industrial Estate, Bangna-Trad
Km.23 Rd., T. Bangsaothong, A, Bangsaothong,
Samutprakarn 10570, Thailand