



ASAHI AV

ASAHI YUKIZAI CORPORATION

General Catalog (Valves)

BUTTERFLY VALVE TYPE 57

- HIGH DURABILITY AND FLOW CHARACTERISTICS IN ADDITION TO EXCELLENT OPERABILITY THANKS TO 19-STEP FINE OPENING ADJUSTMENT
- PLASTIC GEAR BOX WITH EXCELLENT CORROSION RESISTANCE
- EASY SWITCHING FROM LEVER TYPE TO GEAR TYPE OR AUTOMATIC VALVE
- HANDLE LEVER OPEN/CLOSE DIRECTION CAN BE CHANGED.

BASIC SPECIFICATIONS

VALVE TYPE ————— **BUTTERFLY VALVE TYPE 57**
SIZE / LEVER TYPE — 40 mm—200 mm (1 1/2 inch—8 inch)
GEAR TYPE — 40 mm—350 mm (1 1/2 inch—14 inch)
BODY MATERIAL — **U-PVC** **PP** **PVDF**
SEAL MATERIAL / SEAT — **EPDM** **FKM** etc.
CONNECTION / WAFER — **JIS10K, JIS5K, DIN, ANSI**
HIGH PURITY SERIES — **WETTED PARTS LUBRICANT FREE**

	FLUID TEMPERATURE	MAXIMUM WORKING PRESSURE (NORMAL TEMPERATURE) MPa(lgf/cm ²)	
		40mm—250mm	300mm, 350mm
U-PVC	0°C ~ 50°C	1.0 (10.2)	0.75 (7.7)
PP	-20°C ~ 80°C	1.0 (10.2)	0.75 (7.7)
PVDF	-20°C ~ 120°C	1.0 (10.2)	0.75 (7.7)

NOTE The maximum working pressure is the value including the water hammer pressure. Be careful that the maximum working pressure is not exceeded during use.
 * Concerning the allowable pressure for each temperature and material, see the technical documents at the end of this catalog.

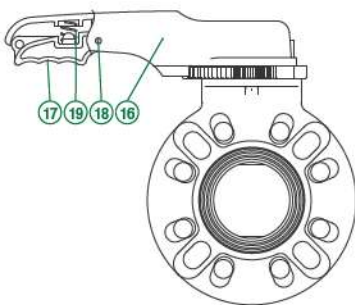


MANUAL

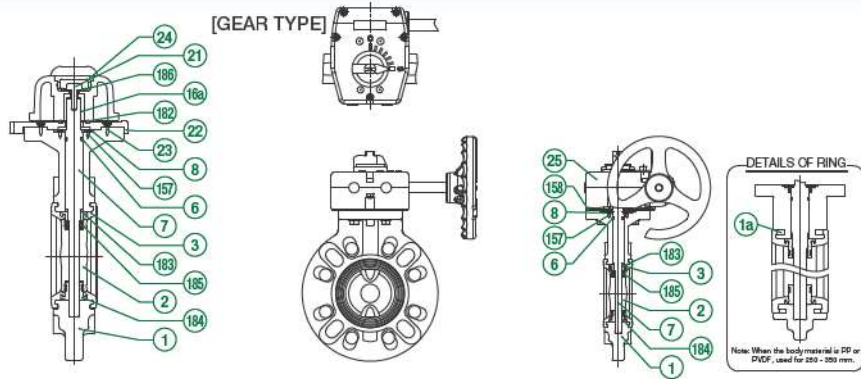
AUTOMATIC

PARTS LIST MANUAL

[LEVER TYPE]



[GEAR TYPE]



PART NO. / NAME	QTY	MATERIAL
① BODY		BODY — DISC / SEAT BUSH
② DISC	1	U-PVC — PP
⑬ SEAT BUSH (A)	1	PP — PP
⑭ SEAT BUSH (B)	1	PVDF — PVDF
③ SEAT	1	
⑥ O-RING (C)	1	EPDM, FKM, etc.
⑬ O-RING (I)	4	
⑦ STEM	1	SUS403, SUS316
⑧ STEM HOLDER (A)	1	PP
⑱ SET SCREW (F)	4	SUS304

ONLY USED FOR LEVER TYPE

PART NO. / NAME	QTY	MATERIAL	PART NO. / NAME	QTY	MATERIAL
⑱ HANDLE (A)	1	PP	⑳ LOCKING PLATE	1	PPG
⑬ EMBEDDED HANDLE FITTING	1	SUS316L	㉑ SET SCREW (B)	4	SUS304
⑰ HANDLE LEVER	1	PPG	㉒ CAP (A)	1	PP
⑲ PIN	1	PPG	⑲ O-RING (H)	1	EPDM
⑲ SPRING	1	SUS304	㉓ WASHER WITH RUBBER	1	SUS304+EPDM
㉑ BOLT (B)	1	SUS304			

ONLY USED FOR GEAR TYPE

PART NO. / NAME	QTY	MATERIAL
㉔ GEAR BOX	1	RESIN, etc.
㉕ BOLT (C)	4	SUS304
⑲ GASKET (L)	1	EPDM
① RING	2	SS400 (Nichrome plating) When the body material is PP or PVDF, used for 250 - 350 mm.

SPECIFICATION LIST MANUAL

LEVER TYPE	SIDE GEAR TYPE	TOP GEAR TYPE	
○	○	○	
CHAIN TYPE	LONG STEM TYPE	FLOAT TYPE	WITH LIMIT SWITCH
○	○	○	○

* For other specifications, contact our sales office in your area.

COMPATIBLE ACTUATOR AUTOMATIC

PNEUMATIC	TYPE TA	For detailed specifications, see P.124	ELECTRIC	TYPE T	For detailed specifications, see P.139
			ELECTRIC	TYPE S	For detailed specifications, see P.133, 135

PRODUCT MODEL CODE LIST
MANUAL

ACTUATION	TYPE	OPERATING SYSTEM	BODY MATERIAL	SEAL MATERIAL	CONNECTION	STANDARD	SIZE	HIGH PURITY SERIES		
V	57	**	*	*	W	*	***	2		
V	MANUAL VALVE	57	TYPE 57	LV LEVER TYPE SG SIDE GEAR TYPE	U U-PVC P PP F PVDF	E EPDM V FKM	W WAFER	1 JIS10K 5 JISSK W — D DIN A ANSI	040 40mm 350 350mm	2 WETTED PARTS LUBRICANT FREE

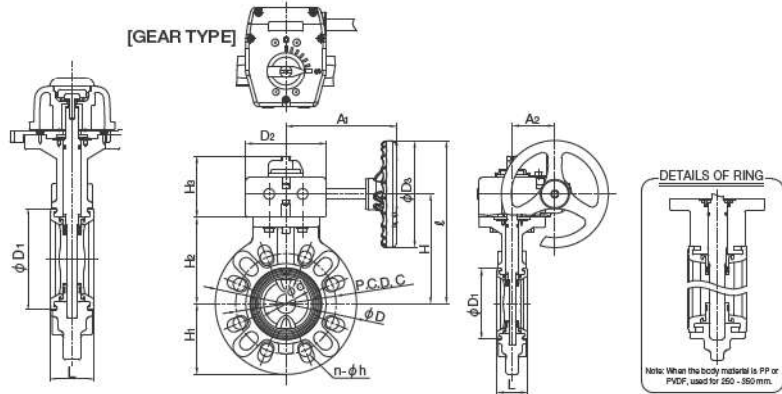
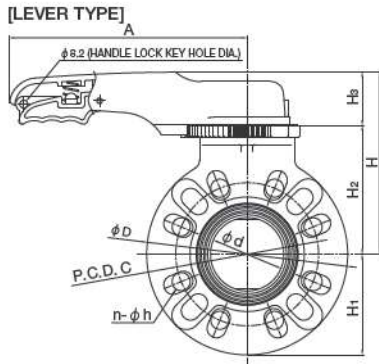
PRODUCT MODEL CODE LIST
AUTOMATIC

ACTUATION	TYPE	ACTUATOR TYPE	ACTION / POWER SOURCE	BODY MATERIAL	SEAL MATERIAL	CONNECTION	STANDARD	SIZE	HIGH PURITY SERIES		
A	57	*	*	*	*	W	*	***	2		
A	AUTOMATIC VALVE	57	TYPE 57	PNEUMATIC K TYPE TA ELECTRIC T TYPE T S TYPE S	F DOUBLEACTING G AIR TO OPEN S AIR TO CLOSE ELECTRIC 1 Single-Phase 100V 2 Single-Phase 200V 3 Three-Phase AC200V 4 Three-Phase AC400V	U U-PVC P PP F PVDF	E EPDM V FKM	W WAFER	1 JIS10K 5 JISSK W — D DIN A ANSI	040 40mm 350 350mm	2 WETTED PARTS LUBRICANT FREE

MANUAL

BUTTERFLY VALVE TYPE 57

TYPE—V57LV, V57SG
CONNECTION / WAFER—JIS, DIN, ANSI



■ JIS, DIN (Unit: mm)

mm	d	D	D1	D2	D3	L	I	A	A1	A2	H				JISSK			JIS10K			WATERWORKS			DIN PN10					
											LEVER TYPE	GEAR TYPE	H1	H2	H3	C	n	h	C	n	h	C	n	h	C	n	h		
40	45	150	71	122	160	39	210	220	167	64	156	130	75	100	95	56	92	95	4	15	105	4	19	—	—	—	110	4	18
50	56	165	81	122	160	42	220	220	167	64	166	140	83	110	105	56	92	105	4	15	120	4	19	—	—	—	125	4	18
65	69	185	95	122	160	46	230	220	167	64	176	150	93	120	115	56	92	130	4	15	140	4	19	—	—	—	145	4	18
80(75)	77	211	105	122	160	46	245	250	167	64	191	165	106	135	130	56	92	145	4	19	150	8	19	—	—	—	160	8	18
100	102	238	134	122	160	56	260	250	167	64	206	180	119	150	145	56	92	165	8	19	175	8	19	—	—	—	180	8	18
125	129	255	169	122	160	66	275	320	167	64	237	195	128	168	160	69	92	200	8	19	210	8	23	—	—	—	210	8	18
150	150	285	190	122	160	71	290	320	167	64	252	210	143	183	175	69	92	230	8	19	240	8	23	—	—	—	240	8	22
200	195	350	242	122	160	87	321	400	167	64	283	241	170	214	206	69	92	280	8	23	290	12	23	—	—	—	295	8	22
250	250	421	302	122	160	112	356	—	167	64	—	276	211	—	241	—	92	345	12	23	355	12	25	—	—	—	350	12	22
300	303	488	360	188	300	129	490	—	272	99	—	340	244	—	298	—	108	390	12	23	400	16	25	—	—	—	400	12	22
350	351	539	393	188	300	129	517	—	272	99	—	367	270	—	325	—	108	435	12	23	445	16	25	—	—	—	460	16	22

■ ANSI (UNIT: inch)

inch	mm	d	D	D1	D2	D3	L	I	A	A1	A2	H				ANSI CLASS 150			GEAR BOX TYPE			
												LEVER TYPE	GEAR TYPE	H1	H2	H3	C	n		h		
1 1/2	40	1.77	5.91	2.80	4.80	6.30	1.54	8.27	8.66	6.57	2.52	6.14	5.12	2.95	3.94	3.74	2.20	3.62	3.88	4	0.62	TYPE1
2	50	2.20	6.50	3.19	4.80	6.30	1.65	8.66	8.66	6.57	2.52	6.54	5.51	3.27	4.33	4.13	2.20	3.62	4.75	4	0.75	
2 1/2	65	2.72	7.28	3.74	4.80	6.30	1.81	9.06	8.66	6.57	2.52	6.93	5.91	3.66	4.72	4.53	2.20	3.62	5.50	4	0.75	
3	80(75)	3.03	8.31	4.13	4.80	6.30	1.81	9.65	9.84	6.57	2.52	7.52	6.50	4.17	5.31	5.12	2.20	3.62	6.00	4	0.75	
4	100	4.02	9.37	5.28	4.80	6.30	2.20	10.24	9.84	6.57	2.52	8.11	7.09	4.69	5.91	5.71	2.20	3.62	7.50	8	0.75	
5	125	5.08	10.04	6.65	4.80	6.30	2.60	10.83	12.60	6.57	2.52	9.33	7.88	5.04	6.61	6.30	2.72	3.62	8.50	8	0.88	
6	150	5.91	11.22	7.48	4.80	6.30	2.80	11.42	12.60	6.57	2.52	9.92	8.27	5.63	7.20	6.89	2.72	3.62	9.50	8	0.88	
8	200	7.68	13.78	9.53	4.80	6.30	3.43	12.64	15.75	6.57	2.52	11.14	9.49	6.69	8.43	8.11	2.72	3.62	11.75	8	0.88	
10	250	9.84	16.57	11.89	4.80	6.30	4.41	14.02	—	6.57	2.52	—	10.87	8.31	—	9.49	—	3.62	14.25	12	1.00	
12	300	11.93	19.21	14.17	7.40	11.81	5.08	19.29	—	10.71	3.90	—	13.39	9.61	—	11.73	—	4.25	17.00	12	1.00	
14	350	13.82	21.22	15.47	7.40	11.81	5.08	20.35	—	10.71	3.90	—	14.45	10.63	—	12.80	—	4.25	18.75	12	1.12	