

MODEL:

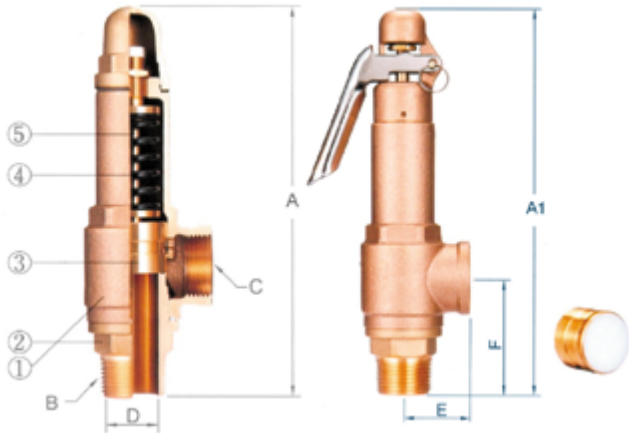
SV-B9A / SVP-B9A WITHOUT LEVER

SV-B9L / SVP-B9L WITH LEVER

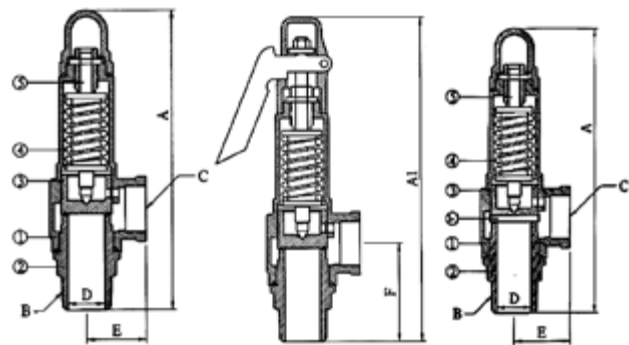
When placing order, please indicate **Working Pressure**

The features of low lift bronze safety valves for which the valve seat & disc are processed by lapping.

The Disc can be replaced with PTFE for good effect of anti-leakage. (Model: SVP-S9A, SVP-S9L)



Working Fluid	Metal to Metal Non-Corrosive Gas, Air, Steam. PTFE Non-Corrosive Gas, Non-Corrosive Liquid. Air, Steam, Water, Oil.
Working Temp.	-45°C~185°C
Working Pressure	SV-B9A / SV-B9L 0.3 ~ 10 kgf/cm ² , 11 ~ 20 kgf/cm ² SV-B9A-H3 / SV-B9L-H3 20 ~ 30 kgf/cm ² ← SVP-B9A / SVP-B9L 2 ~ 10 kgf/cm ² , 11 ~ 20 kgf/cm ² (PTFE)
Thread End	BSPT (BS21), NPT (ANSI B2.1)



METAL TO METAL

PTFE (3-1)

Material

No. / Part	W/O Lever	SV-B9A	SVP-B9A
	With Lever	SV-B9L	SVP-B9L
Type		METAL TO METAL	PTFE
1 Valve Body		CAST BRONZE	CAST BRONZE
2 Valve Seat		FORGE BRASS	FORGE BRASS
3 Valve Disc		FORGE BRASS	FORGE BRASS
3-1 Soft Seal		—	PTFE
4 Spring		SWOSC-V	SWOSC-V
5 Stem		BRASS	BRASS
6 Cap		FORGE BRASS	FORGE BRASS
7 Packing (B9A)		ASBESTOS	ASBESTOS
8 Spring Seat		BsBM	BsBM
9 Nut		BsBM	BsBM
10 Adjusting Screw		BsBM	BsBM
11 Handle (B9L)		STEEL	STEEL

Dimension Type Sealing (without lever)

Size	Dimension						Lift ℓ	Wt. kgs
	A	Inlet B	Outlet C	Valve Seat Orifice D	E	F		
1/2"	145	1/2"	1/2"	13	29	49	0.52	0.5
3/4"	167	3/4"	3/4"	19	36	55	0.76	0.8
1"	202	1"	1"	25	40	67	1.00	1.3
1.1/4"	233	1.1/4"	1.1/4"	32	50	79	1.28	2.2
1.1/2"	256	1.1/2"	1.1/2"	38	54	86	1.52	2.9
2"	283	2"	2"	50	66	96	2.00	4.7

Type Lever

Size	Dimension	
	A1	Wt. kgs
1/2"	167	0.7
3/4"	190	0.9
1"	223	1.4
1.1/4"	248	2.2
1.1/2"	272	2.9
2"	299	5.0