

CN 132

Gate valve

CN 132 rubber ring seal...

“CNB” CN132 系列
铸铁板闸阀

“WRC” / U.K. Approved

CN 132 is especially developed for regulation and shut-off in most type of water and oil-free neutral liquid circulation/ supply systems.

CN 132 meets the following requirements:

- 1) Drip-free shut-off.
- 2) Low pressure drop.
- 3) Low operation costs.
- 4) Low price.

In relation to above most other types of valves have one or more disadvantages.

Metal seated gate valves are vulnerable to damage caused by dirt on the seating surfaces. As a result this will cause an unacceptable leak rate after a short period of time.

Other valve types such as globe valves, diaphragm valves, and ball valves usually meet the requirement of tight shut-off, but are usually characterized by the following disadvantages:

- higher price and / or
- higher pressure drop and / or
- shut-down of plant while exchanging diaphragm / adjusting gland and / or
- risk of shock conditions due to quick shut-off.

Characteristics

Concentration on a specific field of application, CNB has obtained the following advantages for CN 132:

1. Drip-free shut-off

Wedge with vulcanized rubber rings is insensitive to dirt on the seat surfaces.

The rubber ring seal compensates for wear and tear and for small deformations of the valve body, due to stress in the pipe system. Rubber ring seal also means easy opening and closing.

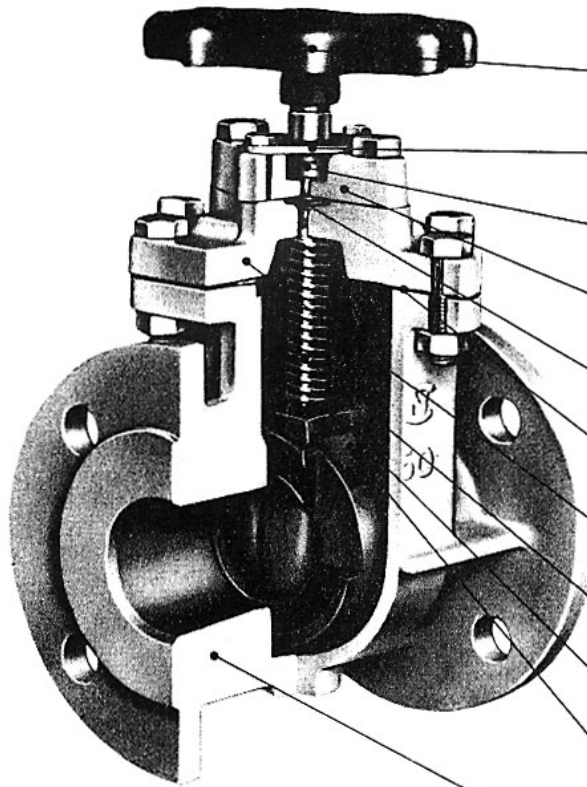
- #### 2. Minimum pressure drop
- due to full through-flow and short face to face length.

- #### 3. Maintenance-free
- due to the double spindle packing which needs no adjustment. Spindle packing can be replaced while the plant is operating.

For the given application, CN 132 is the optimum solution.

Experiences from plants all over Europe confirm this.

Materials



Handwheel	Cast Iron or Black enamelled sheet steel
Top plate, nuts and bolts	Electro-galvanized steel
U-packing	EPDM rubber
Top flanges	Meehanite GD 250*
O-ring	EPDM rubber
Packing	Kenovit (Asbesto-free)
Bonnet	Meehanite GD 250*
Spindle	High tensile copper alloy ISO 426 Cu Zn 39 Pb 3
Wedge with rubber	Meehanite GD 250*/EPDM
Nut	Bronze
Body	Meehanite GD 250*

** ISO 426 Cu Zn 39 Pb 3 is equivalent to BS 2874 CZ 121.

Construction:

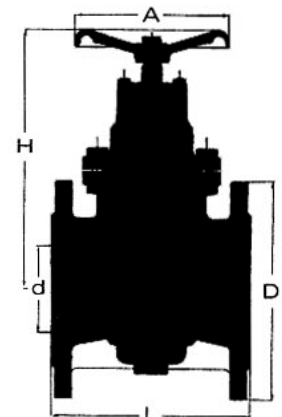
CN 132

CN 132 is available
with cleaning plug.

Flanges:	Drilled to BS4504 (other flanges to order)
Spindle tightening:	U-packing
Working temperature:	120° C.
Max. temperature:	130° C. (in short intervals)
Working pressure:	16 Bar
Test pressure:	24 Bar

Dimensions

d NW mm Bore inch.	32 1 1/4"	40 1 1/2"	50 2"	65 2 1/2"	80 3"	100 4"	125 5"	150 6"	200 8"
LDIN 3202 mm	140 5 1/2"	140 5 1/2"	150 5 7/8"	170 6 11/16"	180 7 1/8"	190 7 1/2"	200 7 7/8"	210 8 1/4"	230 9 1/16"
Hmm inch.	195 7 11/16"	195 7 11/16"	195 7 11/16"	220 8 5/8"	240 9 7/16"	270 10 5/8"	305 12"	400 15 3/4"	485 19 1/8"
Amm inch.	120 4 3/4"	120 4 3/4"	120 4 3/4"	120 4 3/4"	140 5 1/2"	160 6 1/4"	160 6 1/4"	180 7 1/8"	225 8 7/8"
PN16 DDIN 2501 mm BS 4504 inch. Weight kg	140 5 1/2" 10	150 5 7/8" 10,6	165 6 1/2" 11,5	185 7 5/16" 14,7	200 7 7/8" 18,5	220 8 5/8" 24,0	250 9 7/8" 31,0	285 11 1/4" 49,0	340 13 3/8" 77,0



* "Meehanite GD 250" is a kind of cast iron better than B.S. 1452: 1977 grade 220.

* For extra protection, valves can be supplied with Rilsan coated (Nylon 11) or electro-galvanised both internally and externally.