

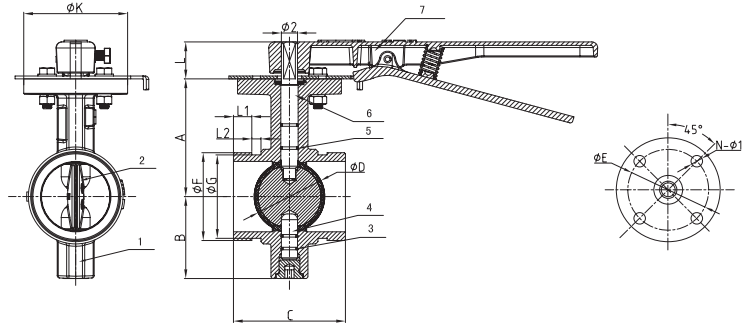
Grooved Butterfly Valve (D81X4, D381X4), PN10/16



D81X4

CE NSF/ANSI 61 NSF/ANSI 372

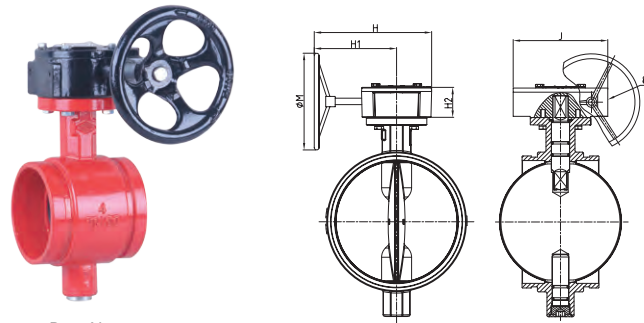
- Design Standard: BS EN 593
- Connection Ends: Groove to ISO 6182
- Top Flange standard: ISO 5211
Stem drive by keys, parallel or diagonal square or flat head
- Working Pressure: PN10/16
- Temperature Range: 0°C- 100°C
- Coating: Fusion Bonded Epoxy Coating in accordance with ANSI/AWWA C550 or painting upon request



MATERIAL SPECIFICATION

| Part No. | Part | Standard Specification | Options |
|----------|------------|------------------------|----------------------------|
| 1 | Valve Body | EN-GJS-450-10 | |
| 2 | Disc | EN-GJS-450-10+EPDM | EN-GJS-450-10+NBR |
| 3 | O-Ring | NBR | EPDM |
| 4 | Stem | Stainless Steel | SS304, SS316, SS420, SS431 |
| 5 | O-Ring | NBR | EPDM |
| 6 | Stem | Stainless Steel | SS304, SS316, SS420, SS431 |
| 7 | Lever | EN-GJS-450-10 | Aluminum |
| 8 | Gear Box | EN-GJS-450-10 | |

Note: For special material request other than standard specification, please indicate clearly on the inquiry or order list.



D381X4

| DN | | Dimensions(mm) | | | | | | | | | | | | | | | | | | |
|------|-----|----------------|-----|-----|-------|-------|--------|-------|-------|----|-----|-----|-----|----|-----|-----|------|----------|-----|-------|
| Inch | mm | A | B | C | ΦD | ΦF | ΦG | L1 | L2 | L | ΦK | H | H1 | H2 | J | ΦM | Φ2 | ISO 5211 | ΦE | N-Φ1 |
| 2" | 50 | 89 | 65 | 81 | 50.3 | 60.3 | 57.15 | 15.88 | 7.93 | 32 | 90 | 206 | 158 | 52 | 114 | 150 | 14 | F07 | 70 | 4-Φ10 |
| 2.5" | 65 | 102 | 71 | 97 | 60.8 | 73.0 | 69.09 | 15.88 | 7.93 | 32 | 90 | 206 | 158 | 52 | 114 | 150 | 14 | F07 | 70 | 4-Φ10 |
| 2.5" | 65 | 102 | 71 | 97 | 60.8 | 76.1 | 72.26 | 15.88 | 7.93 | 32 | 90 | 206 | 158 | 52 | 114 | 150 | 14 | F07 | 70 | 4-Φ10 |
| 3" | 80 | 109 | 81 | 97 | 76 | 88.9 | 84.94 | 15.88 | 7.93 | 32 | 90 | 206 | 158 | 52 | 114 | 150 | 14 | F07 | 70 | 4-Φ10 |
| 4" | 100 | 128 | 95 | 116 | 98.5 | 114.3 | 110.08 | 15.88 | 9.53 | 32 | 90 | 206 | 158 | 52 | 114 | 150 | 16 | F07 | 70 | 4-Φ10 |
| 5" | 125 | 141 | 111 | 148 | 122.6 | 139.7 | 135.48 | 15.88 | 9.53 | 32 | 90 | 206 | 158 | 52 | 114 | 150 | 16 | F07 | 70 | 4-Φ10 |
| 5" | 125 | 141 | 111 | 148 | 122.6 | 141.3 | 137.03 | 15.88 | 9.53 | 32 | 90 | 206 | 158 | 52 | 114 | 150 | 16 | F07 | 70 | 4-Φ10 |
| 6" | 150 | 153 | 133 | 148 | 148 | 159.0 | 154.50 | 15.88 | 9.53 | 32 | 90 | 206 | 158 | 52 | 114 | 150 | 20 | F07 | 70 | 4-Φ10 |
| 6" | 150 | 153 | 133 | 148 | 148 | 165.1 | 160.9 | 15.88 | 9.53 | 32 | 90 | 206 | 158 | 52 | 114 | 150 | 20 | F07 | 70 | 4-Φ10 |
| 6" | 150 | 153 | 133 | 148 | 148 | 168.3 | 163.96 | 15.88 | 9.53 | 32 | 90 | 206 | 158 | 52 | 114 | 150 | 20 | F07 | 70 | 4-Φ10 |
| 8" | 200 | 184 | 164 | 133 | 199 | 219.1 | 214.4 | 19.05 | 11.10 | 45 | 125 | 310 | 239 | 69 | 167 | 300 | 26 | F10 | 102 | 4-Φ12 |
| 10" | 250 | 216 | 196 | 159 | 252 | 273.0 | 268.28 | 19.05 | 12.70 | 45 | 125 | 310 | 239 | 69 | 167 | 300 | 26 | F10 | 102 | 4-Φ12 |
| 12" | 300 | 254 | 226 | 165 | 300.5 | 323.9 | 318.29 | 19.05 | 12.70 | 45 | 125 | 307 | 229 | 73 | 190 | 300 | 28 | F10 | 102 | 4-Φ12 |
| 14" | 377 | 290 | 241 | 178 | 324 | 377 | 371.4 | 23.8 | 12.7 | 45 | 150 | 307 | 229 | 73 | 190 | 300 | 31.7 | F12 | 125 | 4-Ø14 |

Note: Valve must not be installed with disc in full open position. Disc must be partly closed so that no part is protruding beyond end of valve body.