



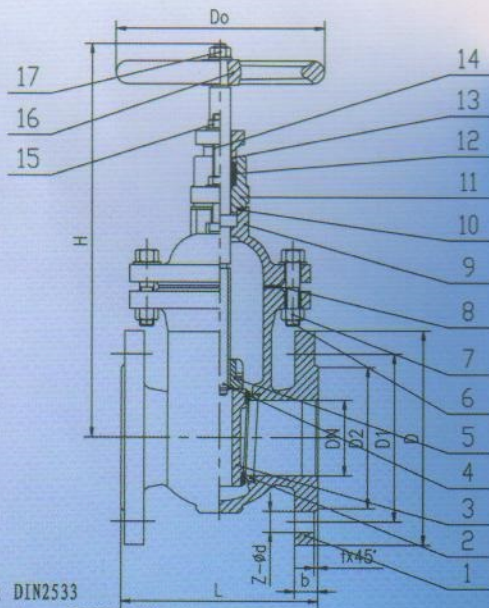
海聯五金有限公司 Hoi Luen Hardware Company Limited

Tel: (852) 23887282 Fax: (852)27709032

Email: Sales@hoiluenhardware.com Website: www.hoiluenhardware.com

Address: ShopA, G/F., King Centre, No.23 Dundas Street, Kowloon, Hong Kong

### 5. DIN3352 F4 Metal seated gate valve Non-rising stem



Flange dimensions: DIN2533

Face to face dimensions: DIN3202-F4

DN	40	50	65	80	100	125	150	200	250	300
L	140	150	170	180	190	200	210	230	250	270
D	150	165	185	200	220	250	285	340	405	460
D1	110	125	145	160	180	210	240	295	355	410
D2	88	102	122	138	158	188	212	268	320	378
b	18	20	22	24	26	28				
H	278	331	342	363	382	457	492	586	676	737
f			3							4
Z-d	4-18		8-18		8-23	12-23	12-27			
Do	160		180	200		280			320	



17	NUT GASKET	1	CARBON STEEL		
16	WHEEL	1	GG25		
15	NUT GASKET	4	CARBON STEEL		
14	BOLT	2	CARBON STEEL		
13	GLAND	1	GG25		
12	PACKING		GRAPHITE		
11	STUFFING BOX	1	GG25		
10	GASKET	1	GRAPHITE		
9	BONNET	1	GG25		
8	GASKET	1	GRAPHITE		
7	NUT		CARBON STEEL		
6	BOLT		CARBON STEEL		
5	STEM NUT	1	BRASS		
4	STEM	1	STAINLESS STEEL		
3	WEDGE DISC	1	GG25+BRASS		
2	SEAT	2	BRASS		
1	BODY	1	GG25		
NO	NAME	QTY	MATERIAL		