

CHECK VALVE

PN16 CAST BRONZE/SCREWED CAP/Y PATTERN/SCREW END

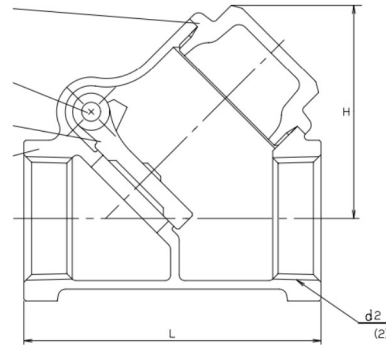
Fig. No.	R(BS)
Max. Service Pressure	PN16
Service Temperature	-10 to 100°C
Working Medium	Water (*Non-shock)
Standard	End to End: KITZ Standard End Connection: BS21 (JIS B0203)* Wall thickness: KITZ Standard

*Taper pipe threads for connection shall refer to JIS B0203 standards.



Dimensions

mm	SIZE		L	H
	inch			
15	1/2		56	40
20	3/4		70	49
25	1		80	58
32	1 1/4		95	71
40	1 1/2		110	80
50	2		128	95



Materials

Name of Parts	Specifications
Body	CAST BRONZE - CC491K
Cap	DEZINCIFICATION RESISTANT BRASS - CW617N
Disc	CAST BRONZE - CC491K
Body Mark	(Size) 125S 200WOG → KITZ V (Production code)

*Complied to BS EN 5154:1991 / BS EN 1982:2008 / BS EN 12164:2016

Origin : Thailand

Production address : KITZ (Thailand) Ltd.
426 Moo17 Bangna-Trad Rd,
T. Bangsaothong, A. Bangsaothong, Samutprakarn 10570