

# Grooved Butterfly Valve with Tamper Switch (XD381X4), UL/FM/VdS Approved



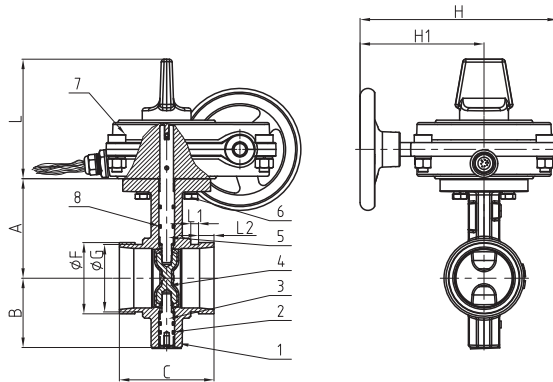
OC2700-7CL

XD381X4



NSF/ANSI 61 NSF/ANSI 372

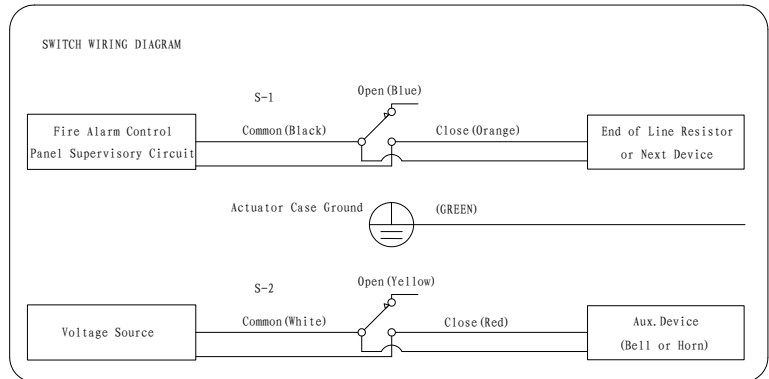
- Design Standard: MSS SP-67
- Connection Ends: Groove to AWWA C606
- Top Flange Standard: ISO 5211
- Working Pressure: 300PSI  
175PSI, 200PSI and 250PSI available upon request
- Temperature Range: 0°C - 100°C
- Coating: Fusion Bonded Epoxy Coating in accordance with ANSI/AWWA C550



MATERIAL SPECIFICATION

Part No.	Part	Standard Specification	Options
1	BODY	ASTM A536,65-45-12	
2	O-Ring	NBR	EPDM
3	Stub Shaft	AISI 431	
4	Disc	ASTM A536,65-45-12+EPDM	ASTM A536,65-45-12+NBR
5	Drive Shaft	AISI 431	
6	Hex Nut	Carbon Steel Zinc plated	
7	Signal Gearbox	Body:ASTM A536,65-45-12	
8	O-Ring	NBR	EPDM

Note: For special material request other than standard specification, please indicate clearly on the inquiry or order list.



DN		Dimensions(mm)									
Inch	mm	A	B	C	F	G	L	L1	L2	H1	H
2"	50	89	65.00	81.00	60.3	57.15	122.5	7.93	15.88	127	202.2
2.5"	65	102	71	97	73.0	69.09	122.5	7.93	15.88	127	202.2
3"	80	109	81	97	88.9	84.94	122.5	7.93	15.88	127	202.2
4"	100	128	95	116	114.3	110.08	122.5	9.53	15.88	127	202.2
5"	125	141	111	148	141.3	137.03	122.5	9.53	15.88	127	202.2
6"	150	153	133	148	168.3	163.96	122.5	9.53	15.88	127	202.2
8"	200	184	164	133	219.1	214.40	122.5	11.10	19.05	185	260.2
10"	250	216	196	159	273.1	268.28	122.5	12.70	19.05	185	260.2
12"	300	254	226	165	323.9	318.29	132.0	12.70	19.05	202.5	297.5

Note: Valve must not be installed with disc in full open position. Disc must be partly closed so that no part is protruding beyond end of valve body.