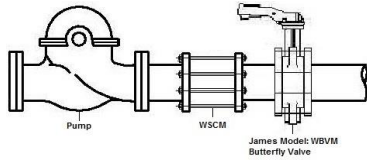


Model: WSCM

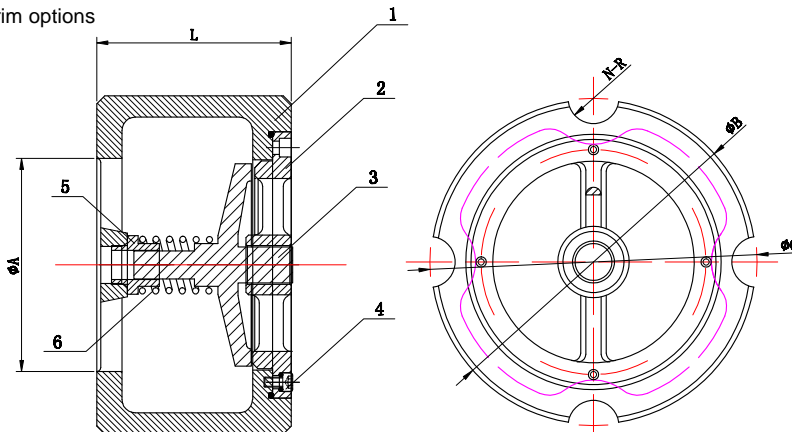
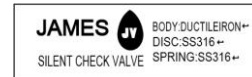
James's model WSCM silent check valve with a compact wafer body is a non-slam check valve that protects liquid, gas and steam piping components from reverse flow and damaging water hammer



**Features:**

- Size Range: 2" - 12"
- Working Pressure: 16bar
- Testing Pressure: 24bar
- BS EN 12266-1 : 2012 & BS EN 12334
- Temperature Rating: -10°C ~ +85°C
- Flange According to: ANSI 125 / 150, EN1092 PN10 / 16
- Epoxy Coating to BS6920:2014
- Medium: Fresh Water, Sea Water, Waste Water, Food, Steam, All kind of oil, Acid, Alkali etc.
- Non Slam / Reliable Performance:
  - Spring loaded light weight disc, combined with short distance from open to close position, closes prior to reverse flow and minimizes water hammer pressure shock
  - Dual Guide Supports the disc through full travel for consistent alignment and seat leakage rate
- Design:
  - Light weight ductile iron body has the anti-corrosive properties of cast iron while achieving a yield strength that is comparable to cast carbon steel
  - Performs in horizontal and vertical installations
  - Stainless steel trim options

**Name Plate Contents**



**Material:**

No.	Subject	Material	European Standard
6	Spring	Stainless Steel Grade 316	BS EN10088-1.4401
5	Axle Sleeve	Stainless Steel Grade 316	BS EN10088-1.4401
4	Bolt	Stainless Steel Grade 316	BS EN10088-1.4401
3	Disc	Stainless Steel Grade 304 / 316	BS EN10088-1.4301 / 1.4401
2	Seat	Stainless Steel Grade 304 / 316	BS EN10088-1.4301 / 1.4401
1	Body	Ductile Iron	BS EN1563 Grade EN-GJS-400/10

**Dimensions:**

Size		L	ØA	ØB	ØC	N-R
DN	Inch					
50	2	67mm	59mm	108mm	120mm	4-R10
65	2 1/2	73	80	127	140	4-R10
80	3	79	84	146	148	4-R10
100	4	102	112	174	180	8-R10
125	5	117	130	213	210	8-R11.5
150	6	140	164	248	243	8-R12.5
200	8	165	216	340	298	8-R12.5
250	10	210	250	406	357	12-R15
300	12	286	300	482	408	12-R15

※Size DN200 is only suitable to flange drilled to ANSI 125 / 150 and EN1092 PN10

Every effort has been made to ensure that the information contained in this publication is accurate at the time of publishing. JAMES assumes no responsibility or liability for typographical errors or omissions or for any misinterpretation of the information within the publication and reserves the right to change without notice.