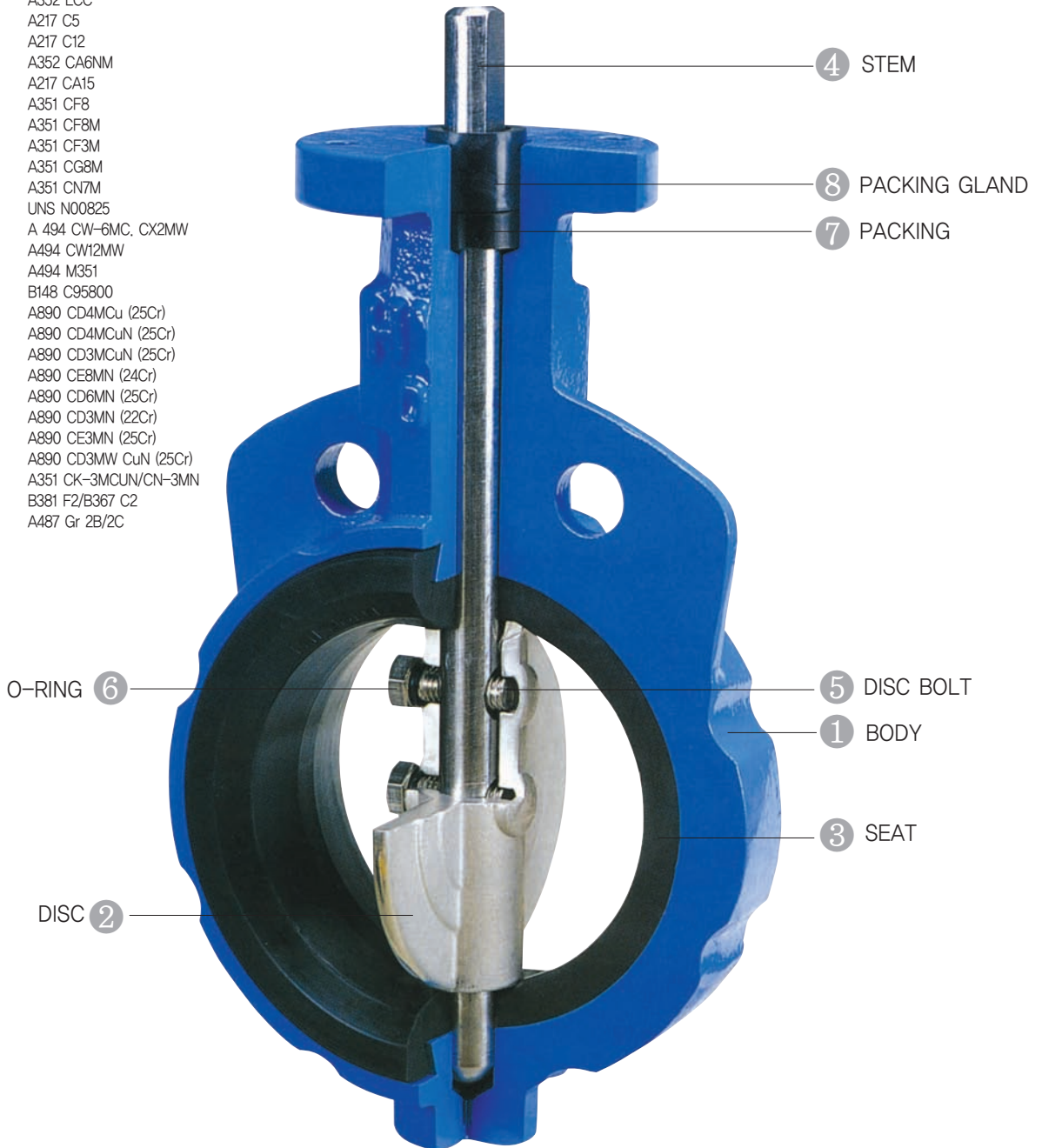


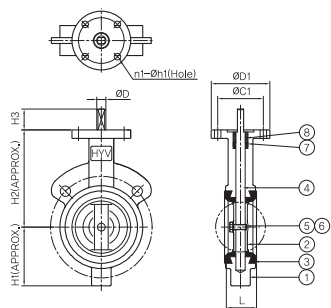
BODY/DISC MATEIRAL

Material	Specification (ASTM)
Gray Iron	A126 Class B
Douctile Iron	A536 65-45-12
Carbon steel	A216 WCB
Low Temp carbon	A352 LCB
Low Temp carbon	A352 LCC
5% Cr Steel	A217 C5
9% Cr Steel	A217 C12
Low Temp 13Cr 4n	A352 CA6NM
410 Stainless Steel	A217 CA15
304 Stainless Steel	A351 CF8
316 Stainless Steel	A351 CF8M
316L Stainless Steel	A351 CF3M
317 Stainless Steel	A351 CG8M
Alloy 20	A351 CN7M
Alloy 825	UNS N00825
Cast Nickel Alloy	A 494 CW-6MC, CX2MW
Hastelloy C276	A494 CW12MW
Monel 400	A494 M351
Nickel Al-Bz	B148 C95800
Douplex SS Gr 1A	A890 CD4MCu (25Cr)
Douplex SS Gr 1B	A890 CD4MCuN (25Cr)
Douplex SS Gr 1C	A890 CD3MCuN (25Cr)
Douplex SS Gr 2A	A890 CE8MN (24Cr)
Douplex SS Gr 3A	A890 CD6MN (25Cr)
Douplex SS Gr 4A	A890 CD3MN (22Cr)
Douplex SS Gr 5A	A890 CE3MN (25Cr)
Douplex SS Gr 6A	A890 CD3MW CuN (25Cr)
254 SMO	A351 CK-3MCUN/CN-3MN
Titanium Gr2	B381 F2/B367 C2
High Strength Low Alloy 904L	A487 Gr 2B/2C

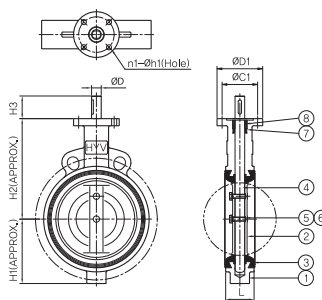


▶▶ BUTTERFLY VALVE CONSTITUTION TABLE

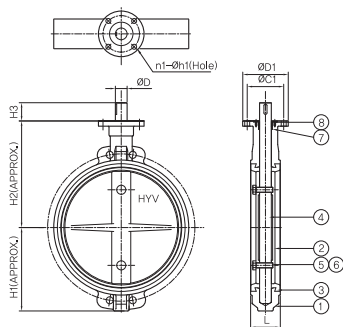
No.	Name of Part	Specific Character	Materials		Standard Materials
			JIS	ASTM	
1	BODY	Body can be used suitably for use, by selecting Wafer type, Lugged type, Flange type, etc, and special painting is treated to prevent corrosion	FC FCD SC SCS BC ALBC AC	A126 A536 A216 A351 B584 B148 B108	FC200 FCD450 SC480 SCS13 BC6 ALBC3 AC2A
2	DISC	Disc is produced with least coefficient of friction to fluid in use, by specific processing, in consideration of flow of fluid, by being adhered closely to seat.	SCS BC ALBC	A351 B584 B148	SCS13
3	SEAT	As seat does the kernel role in valve, so special attention should be given, when, selecting the material and there is hamper at projecting part for Disc to move, seat of flange part is pressed, and you may select the necessary material suitable for use, and in time of establishing Valve, and Stem does work for 1st. sealing of the stem	NBR EPDM VITON PTFE		NBR EPDM
4	STEM	Stem is designed by sufficient torque preventing corrosion even in high temperature as tough stainless of strong system against high intensity and corrosion resisting	SUS MONEL SUS630	A276	SUS410
5	DISC BOLT	Disc-fixing bolt is connected considering corrosion and intensity fully, and does the connecting work by coating compound.	SUS MONEL SUS630	A276	SUS304
6	O-RING	Bolt O-ring does a role to maintain secret	NBR EPDM VITON PTFE		NBR & EPDM
7	PACKING	Packing is made by special course, intercepting any pressure and maintain secret as 2nd sealing role or O-ring.	NBR EPDM VITON PTFE		NBR & EPDM Viton
8	PACKING GLAND	Bushing is material of(ACETAL) resin or steel, without friction, and easy to rotate among metals smoothly			ACETAL STEEL



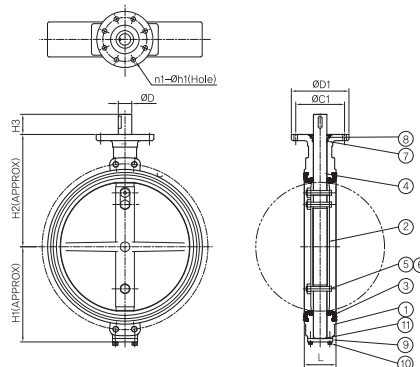
DN40~80(1½"~3")



DN100~150(4"~6")



DN200~600(8"~24")



DN650~1200(26"~48")

· FLANGE RATING : JIS, PN, ANSI B 16.5 CLASS 150
 · FACE TO FACE : ISO 5752 SERIES 20 (DN 1100, 1200 API 609 CATEGORY A)

Size		L	ØD	ØC1	ØD1	n1	Øh1	H1	H2	H3	Weight (kg)
DN	inch										
40	1,6	40	14	70	90	4	10	58	110	32	2,8
50	2	43	14	70	90	4	10	70	120	32	3,4
65	2 1/2	46	14	70	90	4	10	68	130	32	3,6
80	3	46	14	70	90	4	10	78	149	32	4,1
100	4	52	16	70	90	4	10	98	178	32	5,6
125	5	56	19	70	90	4	10	110	184	32	7,0
150	6	56	19	70	90	4	10	125	198	32	8,7
200	8	60	28	70	90	4	12	167	231	45	13,9
250	10	68	28	102	125	4	15	228	265	45	20
300	12	78	28	102	125	4	15	240	300	50	25
350	14	78	28	102	125	4	15	272	335	50	39
400	16	102	40	140	175	4	19	305	375	60	59
450	18	114	40	140	175	4	19	320	399	70	78
500	20	127	50	165	210	4	23	359	434	70	127
550	22	154	50	165	210	4	23	388	455	80	158
600	24	154	50	165	210	4	23	415	498	80	211
650	26	165	50	165	210	4	23	447	535	100	255
700	28	165	70	254	300	8	19	530	578	105	300
750	30	190	70	254	300	8	19	512	598	105	334
800	32	190	80	254	300	8	19	606	643	110	469
850	34	203	85	254	300	8	19	615	667	110	550
900	36	203	90	298	350	8	23	624	696	120	620
950	38	216	95	298	350	8	23	663	730	120	670
1000	40	254	100	298	350	8	23	703	763	130	740
1100	44	276	110	356	415	8	23	767	831	140	880
1200	48	276	120	356	415	8	23	830	900	150	1050