

## Class 800 and Type 3000 Carbon Steel Ball Valves

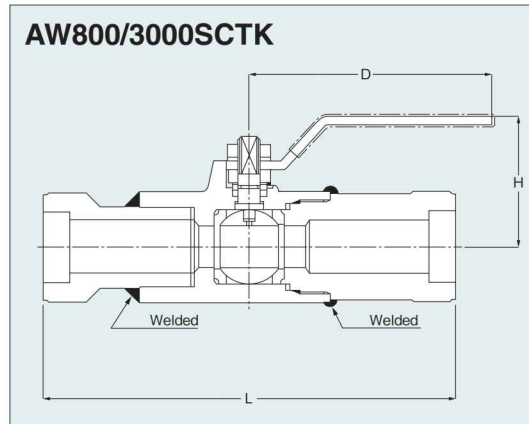
### Reduced bore, Split body design, Socket welding ends

#### Features

- Antistatic device
- Blowout-proof stem
- Socket welding ends to ASME B16.11

#### Note

1. Class 800 ball valves are designed to BS 5351.
2. Type 3000 ball valves are designed to KITZ standard for servicing water, oil and gaseous fluid under the maximum working pressure of 3000 psi.



Page 102 for Pressure-Temperature Ratings.

#### Materials

Parts	Materials
Body	A105
Body cap	A105
Stem	A276 Type 316 (Class 800) SUS 329J1 (Type 3000)
Ball	A276 Type 316
Gland packing	Flexible graphite
Ball seat	PTFE (Class 800) PCTFE* (Type 3000)

\* Polychloro-Trifluoro-Ethylene.

End to end dimensions: KITZ standard

#### Dimensions of AW800SCTK, AW3000SCTK

Unit: mm

Nominal Size	NPS	1/4	3/8	1/2	3/4	1	1 1/4	1 1/2	2
	DN	8	10	15	20	25	32	40	50
Ball bore		10	10	10	15	20	25	32	38
L		170	170	170	176	196	210	226	262
H		44	44	44	54	57	65	70	81
D	Class 800	100	100	100	115	115	135	135	150
	Type 3000	100	100	100	115	115	160	160	230

#### Valve operator

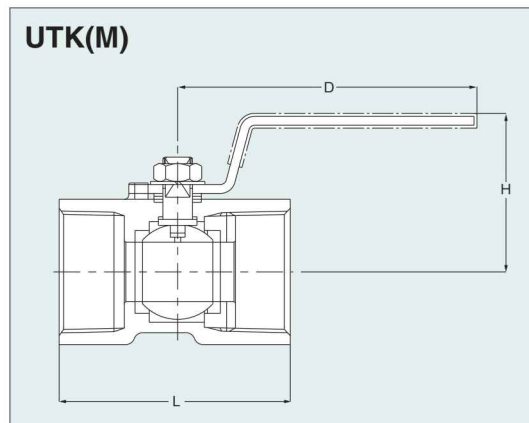
Lever operation

## Type 600 Stainless Steel Ball Valves

### Reduced bore, Uni-body design, Threaded ends

#### Features

- Blowout-proof stem
- Choice of threaded ends:
  - Rc threads to JIS B0203 (BS 21) (Fig. UTKM)
  - NPT threads to ASME B1.20.1 (Fig. AKUTKM)



Page 102 for Pressure-Temperature Ratings.

#### Materials

Parts	Materials
Body	A351 Gr.CF8 (A351 Gr.CF8M)
Ball	A276 Type 304 or A351 Gr.CF8 (A276 Type 316* or A351 Gr.CF8M*)
Stem	A276 Type 316 or 304
Seat	G/F PTFE
Gland packing	G/F PTFE
Handle	Plastic covered S.S.

End to end dimensions: KITZ standard

\* CF8M/316 are available for (M).

#### Dimensions of UTK(M)

Unit: mm

Nominal Size	NPS	1/4	3/8	1/2	3/4	1	1 1/4	1 1/2	2
	DN	8	10	15	20	25	32	40	50
Ball bore		4.5	6.8	9.2	12.5	16	20	24.5	32
L		39	44	56.5	59	71	78	83	100
H		31	36	41	44	48	54	65	72
D		60	70	85	85	100	100	125	125

#### Valve operator

Lever operation

T-type handle as option