

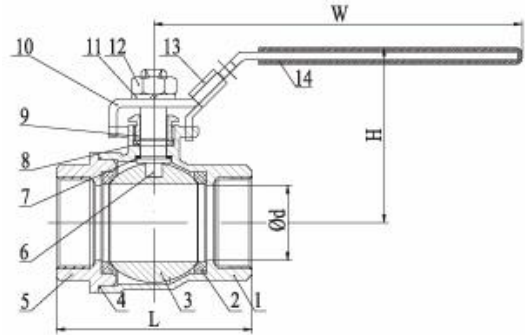


# JAMES

## Stainless Steel Full Bore Two-Piece Ball Valve with Locking Device

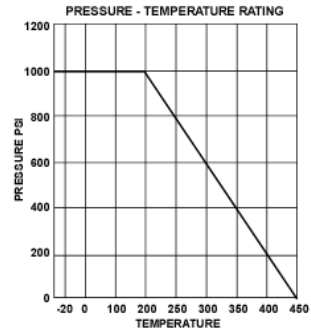
### 二片式牙口球塞閥 - 帶鎖

Model: SLBT



#### Features:

- End Connection: BSPT, NPT, DIN259, DIN2999
- Full Port
- Locking Device
- 1000 W.O.G. / PN63 Rating
- Pressure Test: API 598
- Working Temperature: -20 ~ 350°C
- Investment Casting Body and Cap
- Suitable for Oil, Water and Gas



#### Material:

	Subject	Material
1	Body	SUS316
2	Ball Seat	PTFE
3	Ball	SUS316
4	Body Gasket	PTFE
5	Cap	SUS316
6	Stem	SUS316
7	Thrust Washer	PTFE
8	Stem Packing	PTFE
9	Gland Nut	SUS304
10	Handle	SUS304
11	Washier	SUS304
12	Nut	SUS304
13	Lock Device	SUS304
14	Handle Cover	Plastic

(FOR REFERENCE ONLY)

#### Dimension (mm):

DN	d	L	H	W
6	12.5	50	49	106
10	12.5	50	49	106
15	15	53	51	104
20	20	65	58	116
25	25	73	73	148
32	32	85	79	148
40	38	94	85	182
50	50	112	95	182
65	65	147	126	252
80	76	173	138	252
100	94	222	138	283

(FOR REFERENCE ONLY)

Every effort has been made to ensure that the information contained in this publication is accurate at the time of publishing. Hoi Luen Hardware Co. Ltd assumes no responsibility or liability for typographical errors or omissions or for any misinterpretation of the information within the publication and reserves the right to change without notice.

