

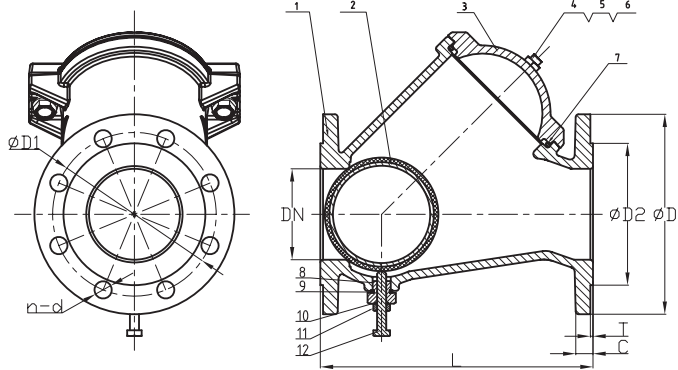
## Ball Check Valve (HQ41XN)



HQ41XN



- Connection Ends: Flange to BS EN 1092-2:1997
- Working Pressure: PN10/16
- Temperature Range: 0°C- 100°C
- Coating: Fusion Bonded Epoxy Coating in accordance with ANSI/AWWA C550



### MATERIAL SPECIFICATION

Part No.	Part	Standard Specification
1	Body	EN-GJS-450-10
2	Ball	Aluminum ball +EPDM
3	Cover	EN-GJS-450-10
4	Bolt	Carbon steel Zinc plated
5	Nut	Carbon steel Zinc plated
6	flat Washer	Carbon steel Zinc plated
7	O Rings	NBR
8	Nut	Brass HPb59-1
9	Washer	EPDM
10	O Rings	NBR
11	Nut	Carbon steel Zinc plated
12	Screw	Brass HPb59-1

Note: For special material request other than standard specification, please indicate clearly on the inquiry or order list.

DN		PN	Dimensions(mm)						
Inch	mm		L	D	D1	d	C	T	n-φ L
2"	50	10/16	200	165	125	99	19	3	4-φ19
2.5"	65	10/16	240	185	145	118	19	3	4-φ19
3"	80	10/16	260	200	160	132	19	3	8-φ19
4"	100	10/16	300	220	180	156	19	3	8-φ19
5"	125	10/16	350	250	210	184	19	3	8-φ19
6"	150	10/16	400	285	240	211	19	3	8-φ23
8"	200	10	500	340	295	266	20	3	8-φ23
		16							12-φ23
10"	250	10	600	405	350	319	22	3	12-φ23
		16			355				12-φ28
12"	300	10	700	460	400	370	24.5	4	12-φ23
		16			410				12-φ28