



## APCO SILENT CHECK VALVES



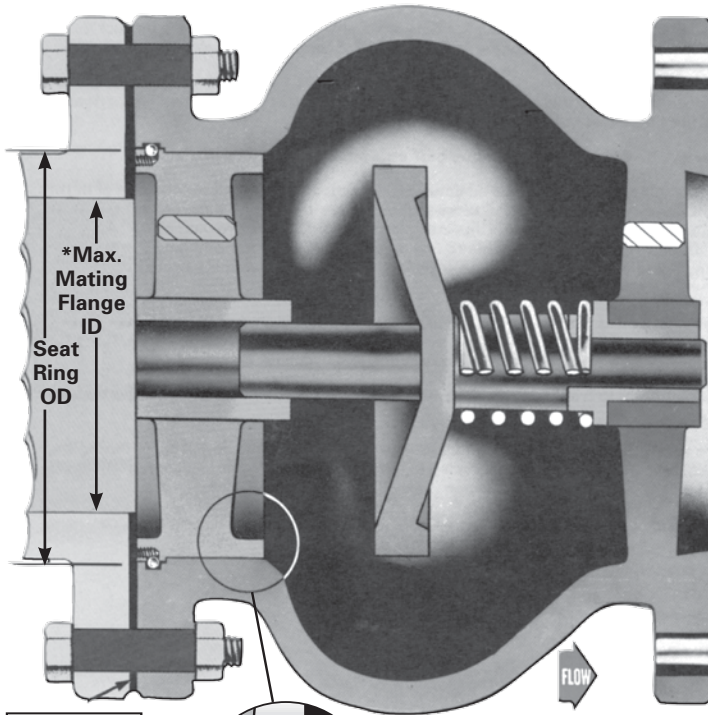
**Series 600**  
Globe Style  
Sizes 3" Through 42"



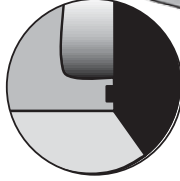
**Series 300**  
Wafer Style  
Size 1" Through 10"

# Globe Style Series 600

Full Flow Area Approximately 10% Greater Than Pipe Size



Use Only Flat Face Flange and Full Face Gasket



Resilient Seat Detail

## Standard Construction

- Ductile Iron Body
- Stainless Steel Trim thru 24" (600mm)
- Stainless Steel Spring

## Optional Construction

- Stainless Steel
- Cast Steel Body with Bronze or Stainless Steel Trim
- Duplex Stainless Steel
- Resilient Seating (Buna-N)
- Compression molded (not glued or chemically bonded) onto the seat allowing metal to metal contact with drop tight resilient shut-off

Note: If special mating flanges are used, ID of mating flange (seat side only) should never be greater than seat ring OD.

125# & 150# ANSI Pressure Cassettes							
Model	Size	Flange Dia.	Face to Face	Bolt Circle Dia.	Bolt Size	No. of Bolts	*Max Mating Flange ID
603	3" 80	7.5" 191	6" 152	6" 152	.625" 16	4	3.375" 86
604*	4" 100	9" 229	7.25" 184	7.5" 191	.625" 16	8	4.75" 121
605*	5" 125	10" 254	8.5" 216	8.5" 216	.75" 19	8	5.5" 140
606*	6" 150	11" 279	9" 229	9.5" 241	.75" 19	8	6.5" 165
608*	8" 200	13.5" 343	10.125" 257	11.75" 298	.75" 19	8	8.5" 216
610*	10" 250	16" 406	12" 305	14.25" 362	.875" 22	12	10.75" 273
612*	12" 300	19" 483	14.25" 362	17" 432	.875" 22	12	12.875" 327
614	14" 350	21" 533	15.75" 400	18.75" 476	1" 25	12	14.75" 375
616	16" 400	23.5" 597	17.625" 448	21.25" 540	1" 25	16	16.5" 419
618*	18" 450	25" 635	18.75" 476	22.75" 578	1.125" 29	16	18.75" 476
620	20" 500	27.5" 699	20.625" 524	25" 635	1.125" 29	20	20.625" 524
624	24" 600	32" 813	24" 610	29.5" 749	1.25" 32	20	24.75" 629
630	30" 750	38.75" 984	29.25" 743	36" 914	1.25" 32	28	29.5" 749
636	36" 900	46" 1168	45" 1143	42.75" 1086	1.5" 38	32	36" 914
642	42" 1100	53" 1346	50" 1270	49.5" 1257	1.5" 38	36	42" 1067

Inch  
Millimeter

250# & 300# ANSI Pressure Cassettes							
Model	Size	Flange Dia.	Face to Face	Bolt Circle Dia.	Bolt Size	No. of Bolts	*Max Mating Flange ID
653	3" 80	8.25" 210	6" 152	6.625" 168	.75" 19	8	3.375" 86
654	4" 100	10" 254	7.25" 184	7.875" 200	.75" 19	8	4.75" 121
655	5" 125	11" 279	8.5" 216	9.25" 235	.75" 19	8	5.5" 140
656	6" 150	12.5" 318	9" 229	10.625" 270	.75" 19	12	6.5" 165
658	8" 200	15" 381	10.125" 257	13" 330	.875" 22	12	8.5" 216
660	10" 250	17.5" 445	12" 305	15.25" 387	1" 25	16	10.75" 273
662	12" 300	20.5" 521	14.25" 362	17.75" 451	1.125" 29	16	12.875" 327
664	14" 350	23" 584	15.75" 400	20.25" 514	1.125" 29	20	14.75" 375
666	16" 400	25.5" 648	17.625" 448	22.5" 572	1.25" 32	20	16.5" 419
668	18" 450	28" 711	18.75" 476	24.75" 629	1.25" 32	24	18.75" 476
670	20" 500	30.5" 775	20.625" 524	27" 686	1.25" 32	24	20.625" 524
674	24" 600	36" 914	24" 610	32" 813	1.5" 38	24	24.75" 629
680	30" 750	43" 1092	29.25" 743	39.25" 997	1.75" 44	28	29.5" 749
686	36" 900	50" 1270	45" 1143	46" 1168	2.125" 54	32	36" 914
692	42" 1100	57" 1448	50" 1270	52.75" 1340	2.25" 57	36	42" 1067

Inch  
Millimeter

Operating pressure to 1500 lb. class is available. Please contact factory for higher pressure classes.